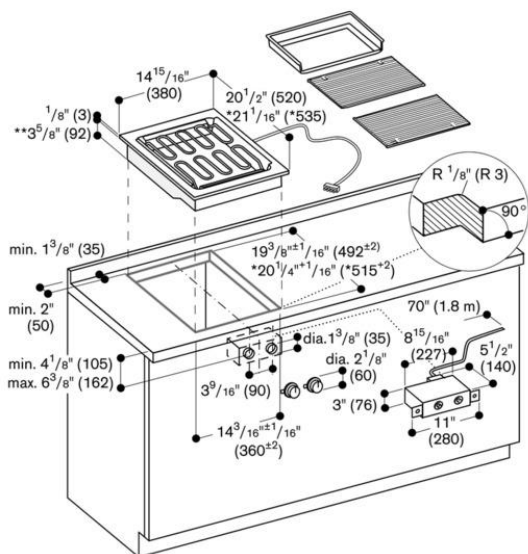


VR414610

15-inch, Vario 400 series electric grill



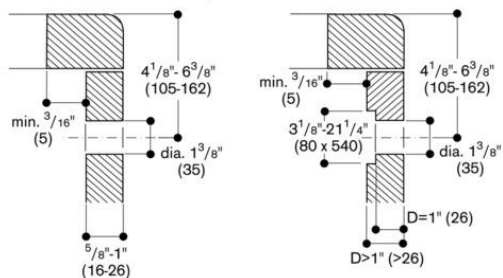
Surface-mount installation



* with appliance cover or adjustment strip.
See separate planning notes.

** 4 1/8" (105 mm) in the area of the cable clip (right, centre).

Installation of the control knob, surface installation



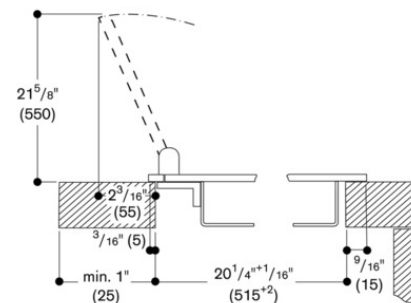
Installation accessories:

- VA450400 – Adjustment Strip for all 15" Varios with appliance cover
- VA450110 – Adjustment Strip for combination with Varios with cover & VL
- VA420000 – Short Connection Strip for flush install. w/o cover
- VA420001 – Long connection strip for flush install. with cover
- VA420010 – Short connection strip for surface mount install. w/o cover
- VA420011 – Long connection strip for surface mount install. with cover
- VV401000 – Retro-fit connection strip for old cut-outs, width 1"

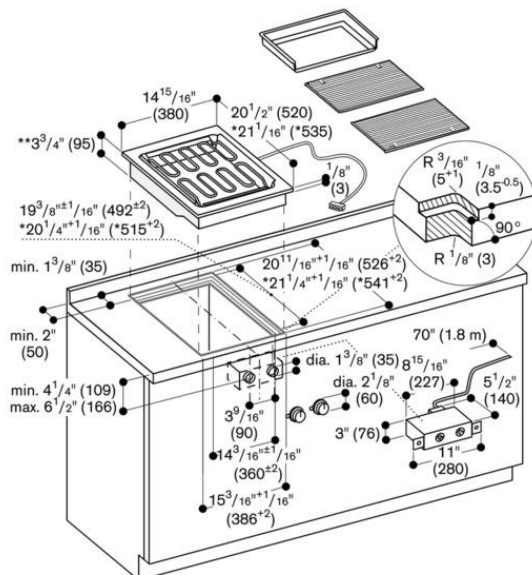
Optional accessories:

- VA 440010 – Stainless steel cover with mounting strip
- LV 030000 – Lava stones for refilling
- VA 461001 – Full size cast griddle plate for VR 414 grill
- VA 461000 – Half size cast griddle plate for VR 414 grill

Installation with appliance cover/spacer batten; surface installation



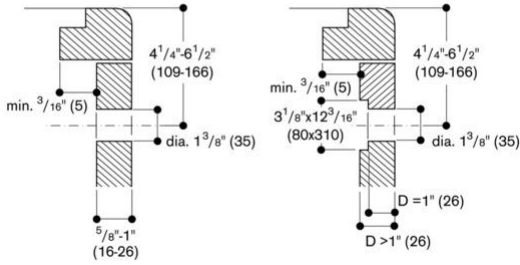
Flush Installation



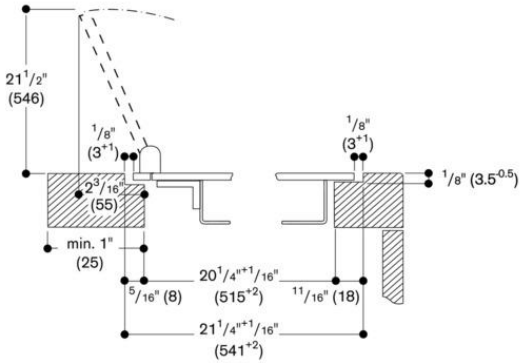
* with appliance cover or spacer batten.
See separate planning notes.

** 4 1/4" (108 mm) in the area of the cable clip (right, centre).

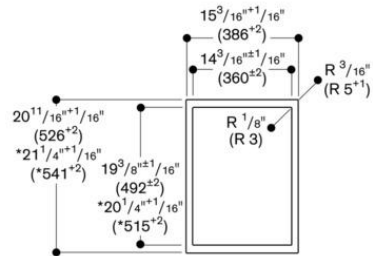
Installation of the control knob; installation flush with surrounding surfaces



Installation with appliance cover/spacer batten; flush installation

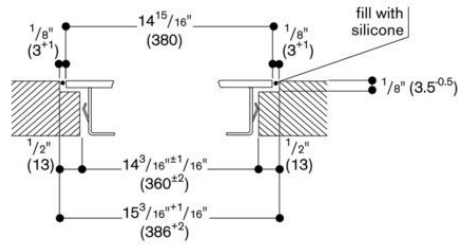


View from above

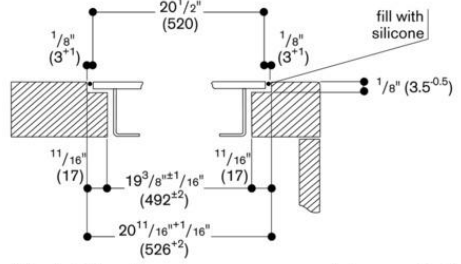


* with appliance cover or spacer batten
 (observe the front and rear asymmetrical support,
 see separate notes "Installation with appliance cover/
 spacer batten").

Longitudinal section



Cross-section



When installing with appliance cover or spacer batten, pay attention to the deeper cut-out and the front and rear groove width.